

1. RF MMIC Innovator

www.berex.com

Classification: Application Note

Document Number: IF1_80902

Revision code: 0.2

Internally Matched IF Amp BIF1

Application Note



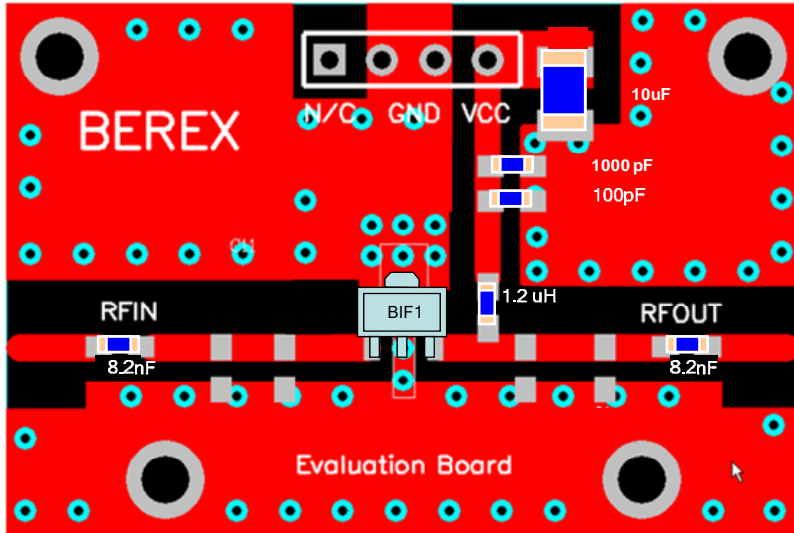
Contents

RF MMIC INNOVATOR WWW.BEREX.COM..... 1

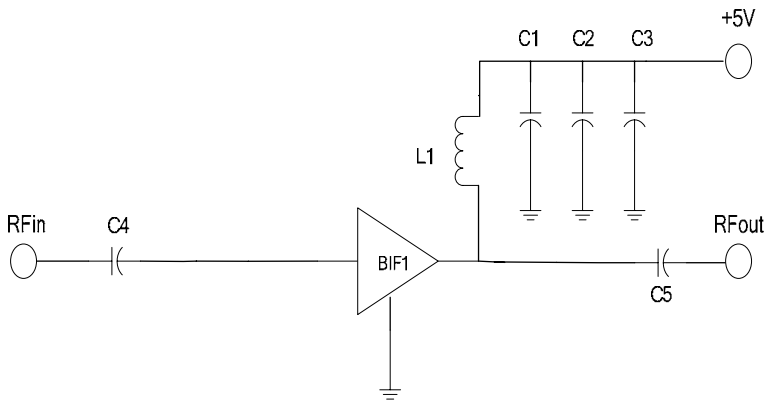
1. BIF1 60~120 MHZ APPLICATION3

2. BIF1 60~120 MHZ TEST RESULT4

1. BIF1 60~120MHz Application Note



Ref. Des.	Description/ Part Number	Values	Vendor
C1	0603 CAP	100uF	Samsung
C2	604 CAP	1000pF	Samsung
C3	A3216 CAP	10uF	AVX
C4	0603 CAP	8.2nF	Samsung
C5	0603 CAP	8.2nF	Samsung
C6	0603 CAP	NA	
C7	0603 CAP	NA	
C8	0603 CAP	NA	
C9	0603 CAP	NA	
C10	0603 CAP	NA	
C11	0603 CAP	NA	
C12	0603 CAP	NA	
L1	0603 IND	1.2uH	Ceratech
L2	0603 IND	NA	
L3	0603 IND	NA	
R1	0603 RES	NA	
U1	SOT89 PKG	BIF1	BEREX



Note:

1. PCB: 31mil thick FR4

TITLE	
BIF1 Evaluation Board	
(60~120MHz)	
Drawing Number	Rev.
Date	Drawn By
FILE NAME	SHEET

2. BIF1 60~120MHz Test Result

SN	Freq [MHz]	Vcc [V]	Icc [mA]	Gain [dB]	OIP3 [dBm] ⁽¹⁾	P1dB [dBm]	IRL [dB]	ORL [dB]
	60	5	102	15.2	43.5	20.1	-18.5	-17.2
	70	5	102	15.2	43	20.1	-18.2	-17.6
	90	5	102	15.2	43.5	20.1	-18.7	-17.8
	120	5	102	15.2	43	20.3	-18.9	-17.8

(1) OIP3 was tested @Pout=11dBm/tone 1MHz offset

