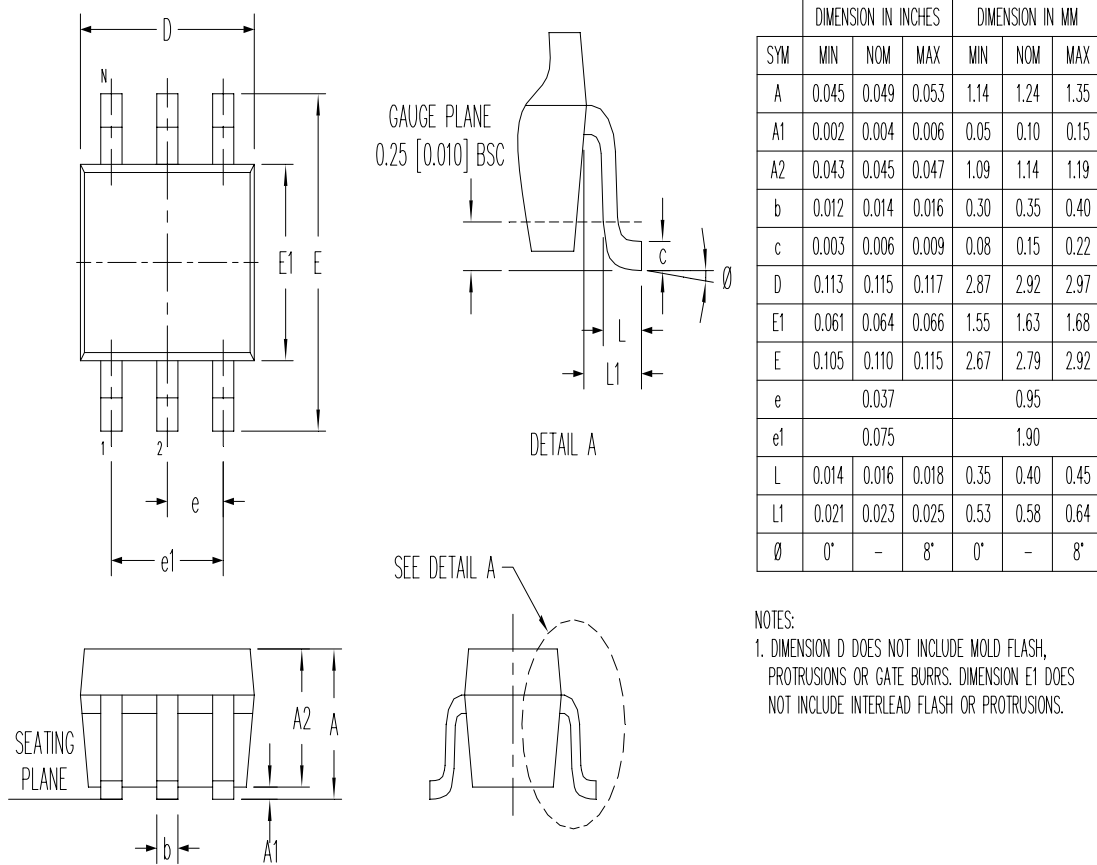


### SOT26 Outline Dimensions

#### 6-pin SOT26 Outline Dimensions



PIN NO.	FUNCTION
2,4,6	DC and RF Ground
5	RF Input
1	RF Output 1
3	RF Output 2