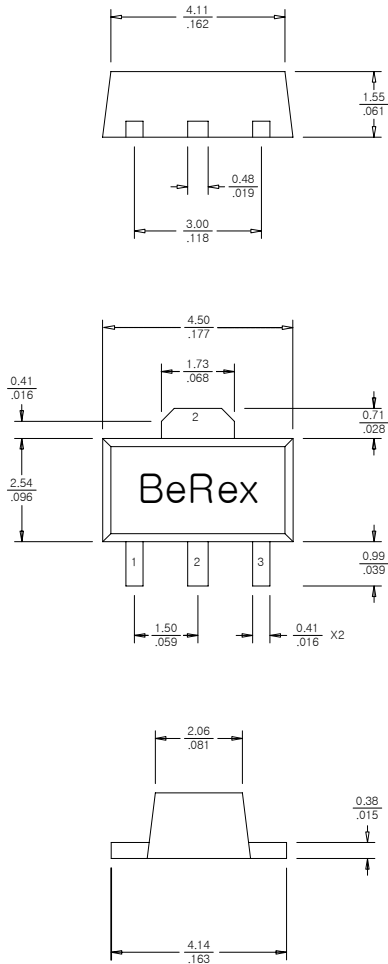


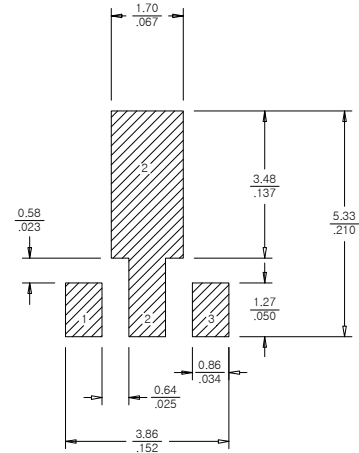
SOT-89 Outline Dimensions

3-pin SOT-89 Outline Dimensions

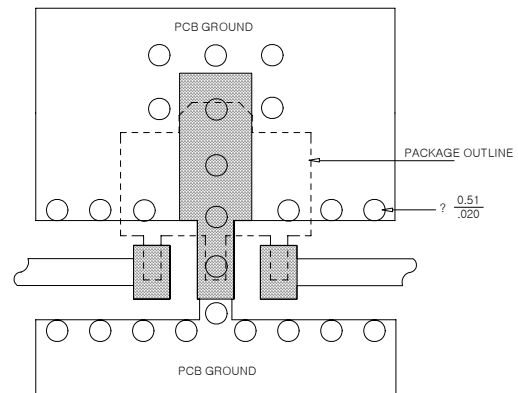
Outline Dimensions ($\frac{\text{mm}}{\text{Inch}}$)



PCB Land Pattern



PCB Mounting



PIN NO.	FUNCTION
1	RF Input
2	Ground
3	RF Output, DC Supply(Bias)